



USERS MANUAL / GEBRUIKERSHANDLEIDING  
BETRIEBSANLEITUNG / MANUEL D'UTILISATION  
MANUAL DE UTILIZACION / INSTRUZIONI PER L'USO

# MasterBus Power Interrupter

Switch off (part of) MasterBus network for power saving



MASTERVOLT  
Snijdersbergweg 93,  
1105 AN Amsterdam  
The Netherlands  
Tel.: +31-20-3422100  
Fax.: +31-20-6971006  
[www.Mastervolt.com](http://www.Mastervolt.com)

ENGLISH: PAGE 1

Copyright © 2015 Mastervolt v 1.0 May 2015

# 1 GENERAL INFORMATION

## 1.1 Use of this manual

Copyright © 2015 Mastervolt. All rights reserved.  
 Reproduction, transfer, distribution or storage of part or all of the contents in this document in any form without the prior written permission of Mastervolt is prohibited.

This manual serves as a guideline for the safe and effective operation of the MasterBus Power Interrupter.

Keep this manual at a secure place!

## 1.2 Guarantee specifications

Mastervolt guarantees that this product was built according to the legally applicable standards and stipulations. If you fail to act in accordance with the regulations, instructions and stipulations in this user's manual, damage can occur and/or the

product will not fulfil the specifications. This may mean that the guarantee will become null and void.

The standard guarantee period is two years after date of purchase.

## 1.3 Liability

Mastervolt can accept no liability for:

- consequential damage due to use of the MasterBus Power Interrupter;
- possible errors in the manuals and their results;
- Use that is inconsistent with the purpose of the product.



**CAUTION!**

Never remove the identification label.

# 2 FUNCTION

The MasterBus Power Interrupter is designed to switch off (part of) the MasterBus network to reduce power drain from, for instance, a battery. An internal relay (dis)connects MasterBus power between the two MasterBus connectors.

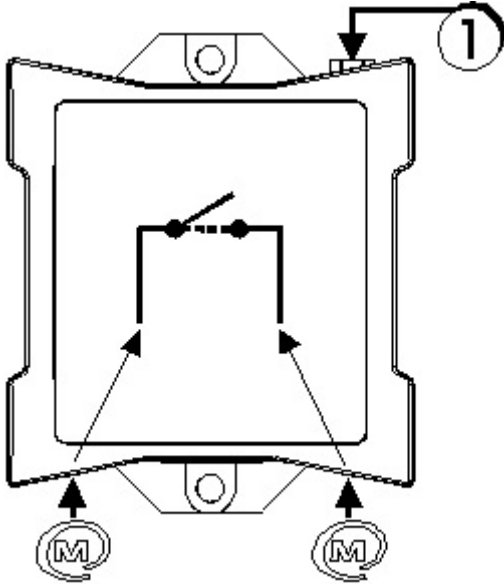
The MasterBus Power Interrupter operation is entirely MasterBus based. See [www.mastervolt.com](http://www.mastervolt.com) for information about MasterBus and the MasterBus event structure. The table below shows the functions.

Monitoring	Description	Default	Range
State	Part of MasterBus network can be switched on (Activated) or off (Standby). Read only.	Activated	Activated/ Standby
Control	Button to change the State.	Activated	Activated/ Standby
<b>Configuration General</b>			
Language	Set the MasterBus Power Interrupter menu language	English	See specifications
Device name	Any name you wish with 12 characters max	Depowering	12 characters max
Events locked	Check box for installers to lock event configuration. Only operable by installers.	Unchecked	Unchecked/ Checked
<b>Configuration Startup</b>			
Startup	Select condition at Startup.	On	On/ Off/ Last
<b>Event commands</b>			
Activate	The MasterBus Power Interrupter can be switched on (Activated) or off (Standby) with this Event command.	-	-
MPC stop	Do not use.	-	-
MPC reduce	Do not use.	-	-

### 3 INSTALLATION


#### 3.1 Overview

Insert the MasterBus cables, see below.



Functional scheme of the MasterBus Power Interrupter.

1. Communication LED, illuminating when the state is “Activated”

 MasterBus connector

Function:

“Standby”: Relay is open → Switched off MasterBus Power.

“Activated”: Relay is closed → Switched on Masterbus Power.

#### 3.2 Operation.

One (free choice) of the MasterBus connectors should be connected to a MasterBus powering device, like a MasterBus USB Interface or Mass Charger, with a MasterBus cable.

The other MasterBus connector should be connected to a non-powering device like a MasterView Easy display. You will then be able to disconnect the MasterView Easy display from MasterBus power. Every non-powering MasterBus device will be disconnected from MasterBus power attached to this connection.

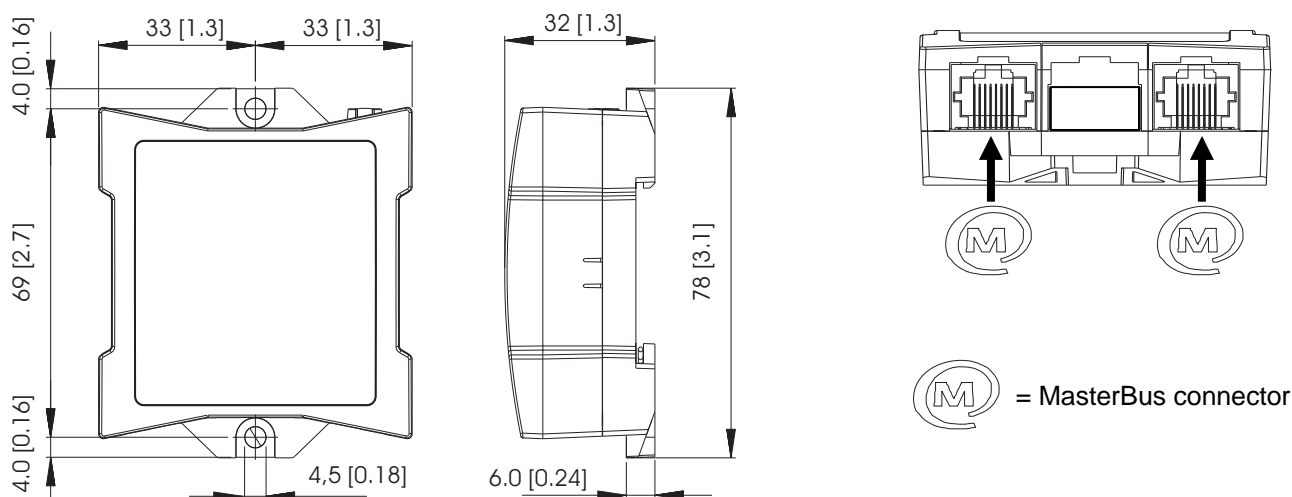
The default start-up configuration is “On”. This means that MasterBus Power is available (switched on) in a start-up situation. This setting can be changed to “Off” or “Last” in the configuration page of MasterBus. Use “Last” if you want the MasterBus Power Interrupter to remember the last state in a start-up situation.

The MasterBus Power Interrupter can be used to make a segregation between powering and non-powering devices on a MasterBus network. By doing so, you can manually switch the MasterBus Power off by changing the device state to standby using the control button in the monitoring page of MasterBus.

Events are available to change the device state automatically. MasterBus Power (non-powering devices) can be switched off (Standby) when, for instance, a low battery situation is detected in a MasterShunt or Mass Combi.

## 4 SPECIFICATIONS

Model:	MasterBus Power Interrupter
Article number:	77031550
Delivery also includes:	MasterBus cable, MasterBus Terminating device, User's manual
Function of instrument:	Switching off (part of) MasterBus network for power saving
Languages available:	English
Power consumption:	132 mW
MasterBus Powering:	No
Din rail mounting:	Yes, Din rail 30 mm [1.2 inch]
Protection degree:	IP 21
Dimensions:	66 x 78 x 32 mm [2.6 x 3.1 x 1.3 inch]; see drawing below
Weight:	Approx. 80 gr [0.18 lb]



*Dimensions in mm (inch) and connections*



Snijdersbergweg 93, 1105 AN Amsterdam, The Netherlands  
 Tel : + 31-20-3422100  
 Fax : + 31-20-6971006  
 Email : info@mastervolt.com